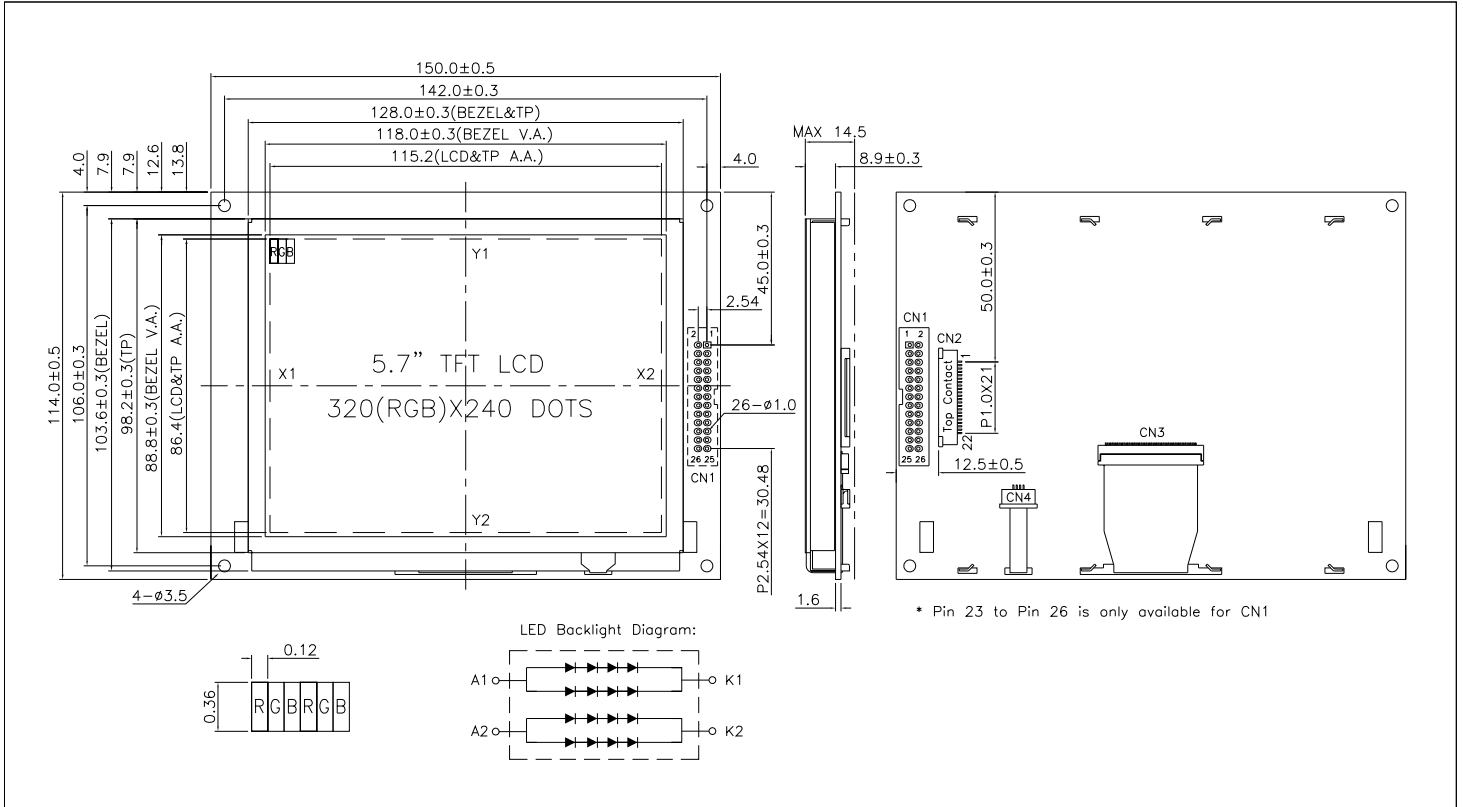


# LT057B-50BTC 5.7", 320(RGB) x 240 TFT + TP & TP controller, 8-bit MCU interface, 5V



## ABSOLUTE MAXIMUM RATINGS

Item	Symbol	Min.	Max.	Unit
Supply Voltage (Logic)	V <sub>DD</sub> - V <sub>SS</sub>	-0.3	5.5	V
Input Voltage	V <sub>I</sub>	-0.3	V <sub>DD</sub> + 0.3	V
Operating Temp.	T <sub>opr</sub>	-20	70	°C
Storage Temp.	T <sub>stg</sub>	-30	80	°C

## MECHANICAL DATA

Item	Nominal Dimensions	Unit
Module Size ( W x H x T )	150.0 x 114.0 x 14.5	mm
Viewing Area ( W x H )	118.0 x 88.8	mm
Active Area ( W x H )	115.2 x 86.4	mm
Dot Pitch ( W x H )	0.12 x 0.36	mm
Weight	Approx. 250	g

## ELECTRICAL CHARACTERISTICS ( V<sub>DD</sub>=5V±0.5V )

Item	Symbol	Test Condition	Min.	Typ.	Max.	Unit
Input High Voltage	V <sub>IH</sub>	--	2.0	--	V <sub>DD</sub>	V
Input Low Voltage	V <sub>IL</sub>	--	0	--	0.8	V
Supply Current (LED is turned on)	I <sub>DD</sub>	V <sub>DD</sub> = 5.0V	--	310	410	mA
Supply Current (LED is turned off)	I <sub>DD</sub>	V <sub>DD</sub> = 5.0V	--	150	180	mA

## PIN CONNECTIONS (CN1/CN2)

Pin	Symbol	Level	Function
1	V <sub>SS</sub>	0V	GND
2	V <sub>DD</sub>	5V	Power supply
3	BL	H/L	LED backlight control signal H: LED on L: LED off
4	D/C	H/L	Data or command selection H: Display data L: Command
5	/WR	L	Write signal. Active "L".
6	/RD	L	Read signal. Active "L".
7	DB0	H/L	Data bus
8	DB1	H/L	
9	DB2	H/L	
10	DB3	H/L	
11	DB4	H/L	
12	DB5	H/L	
13	DB6	H/L	
14	DB7	H/L	
15	/CS	H→L	Chip enable signal. Active at falling edge.
16	/RST	L	Reset signal. Active "L".
17	DCLK	--	DCLK signal of ADS7846
18	/TPCS	--	/CS signal of ADS7846
19	DIN	--	DIN signal of ADS7846
20	DOUT	--	DOUT signal of ADS7846
21	BUSY	--	BUSY signal of ADS7846
22	/PENIRQ	--	/PENIRQ signal of ADS7846

## BLOCK DIAGRAM

