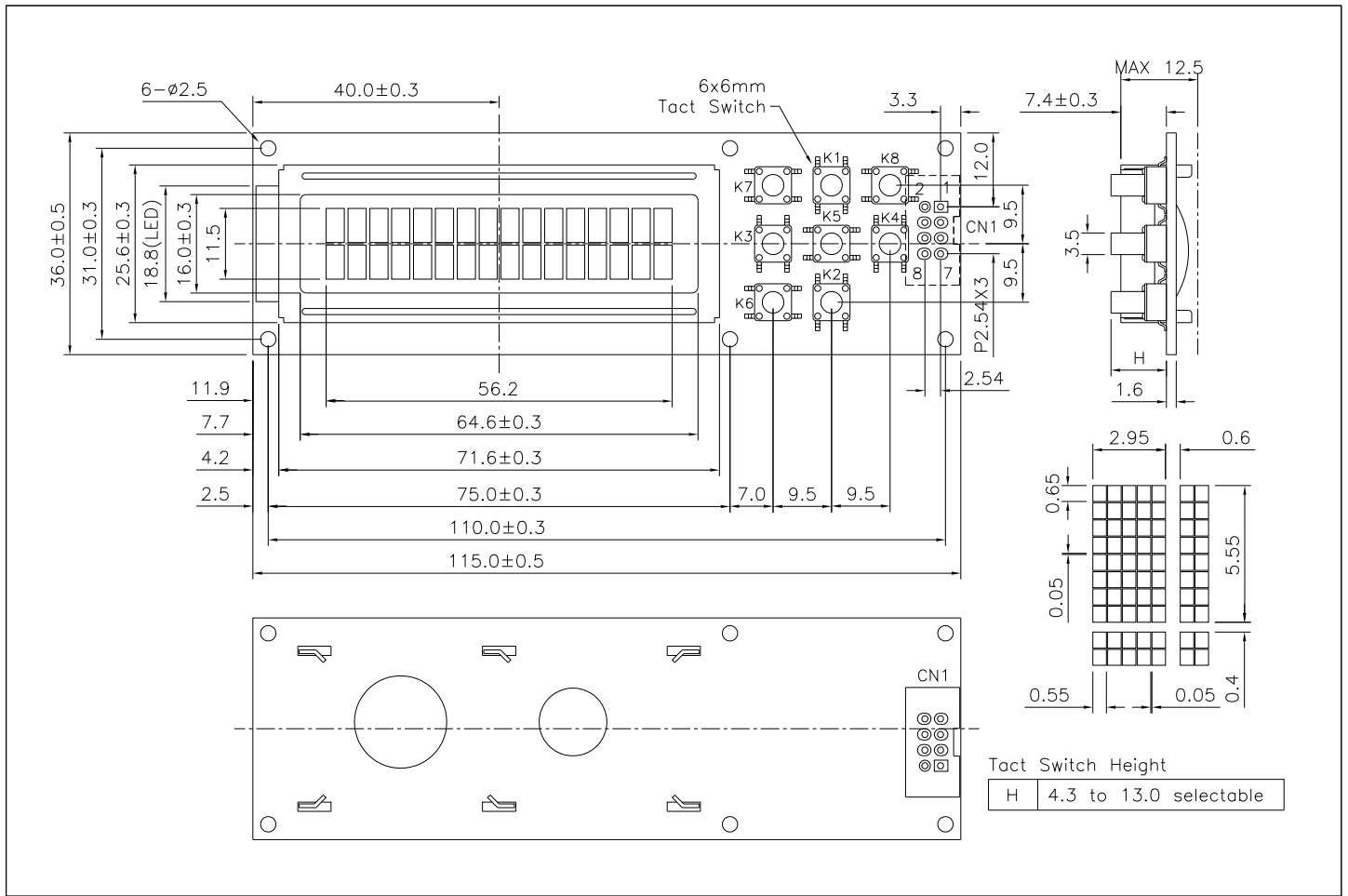


LC162D-DW 16 characters x 2 lines + white led backlight + 8 switches, RS-232 I/F, 5V



ABSOLUTE MAXIMUM RATINGS

Item	Symbol	Min.	Max.	Unit
Supply Voltage(L logic)	$V_{CC} - V_{SS}$	-0.3	6.0	V
Supply Voltage(LCD)	$V_{CC} - V_O$	-0.3	10.0	V
Input Voltage	V_{IN}	-30.0	30.0	V
Operating Temp.	T_{opr}	-20	70	°C
Storage Temp.	T_{stg}	-30	80	°C

MECHANICAL DATA

Item	Nominal Dimensions	Unit
Module Size (W x H x T)	115.0 x 36.0 x 12.5	mm
Viewing Area (W x H)	64.6 x 16.0	mm
Character Size (W x H)	2.95 x 5.55	mm
Dot Size (W x H)	0.55 x 0.65	mm
Weight	Approx. 45	g

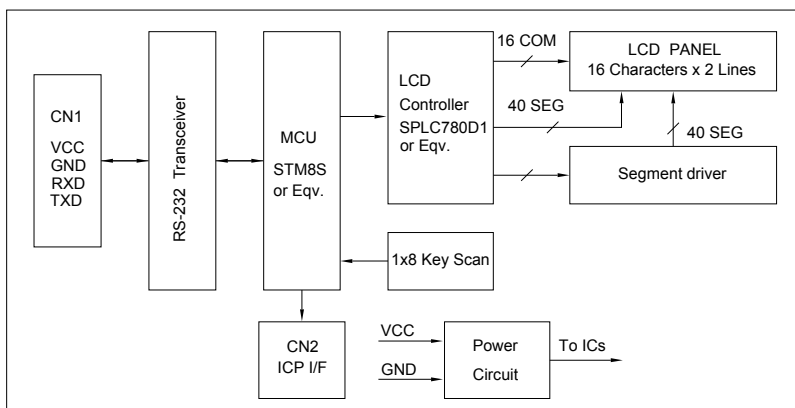
ELECTRICAL CHARACTERISTICS ($V_{CC}=5V\pm0.25V$)

Item	Symbol	Test Condition	Min.	Typ.	Max.	Unit
Input Threshold Voltage (H)	R_{INH}	$V_{CC} = 5.0V$	--	1.7	2.4	V
Input Threshold Voltage (L)	R_{INL}	$V_{CC} = 5.0V$	0.8	1.2	--	V
Output Voltage Swing	T_{OUT}	3K Ω load to GND	± 5.0	--	± 8.0	V
Supply Current	I_{CC}	Backlight on	--	35.0	42.0	V
		Backlight off	--	17.0	20.0	mA

Features:

1. Full duplex RS-232 I/F
2. Baud rate 9600bps
3. 8 data bits, no parity, 1 stop bit
4. Supports maximum 8 keys

BLOCK DIAGRAM



PIN CONNECTIONS

Pin	Symbol	Level	Function
1-2	VCC	+5V	Power supply
3-4	GND	0V	Ground. Connect to pin 5 (GND) of PC RS-232 DB9 male connector.
5-6	RXD	--	Receive data. Connect to pin 3 (TXD) of PC RS-232 DB9 male connector.
7-8	TXD	--	Transmit data. Connect to pin 2 (RXD) of PC RS-232 DB9 male connector.